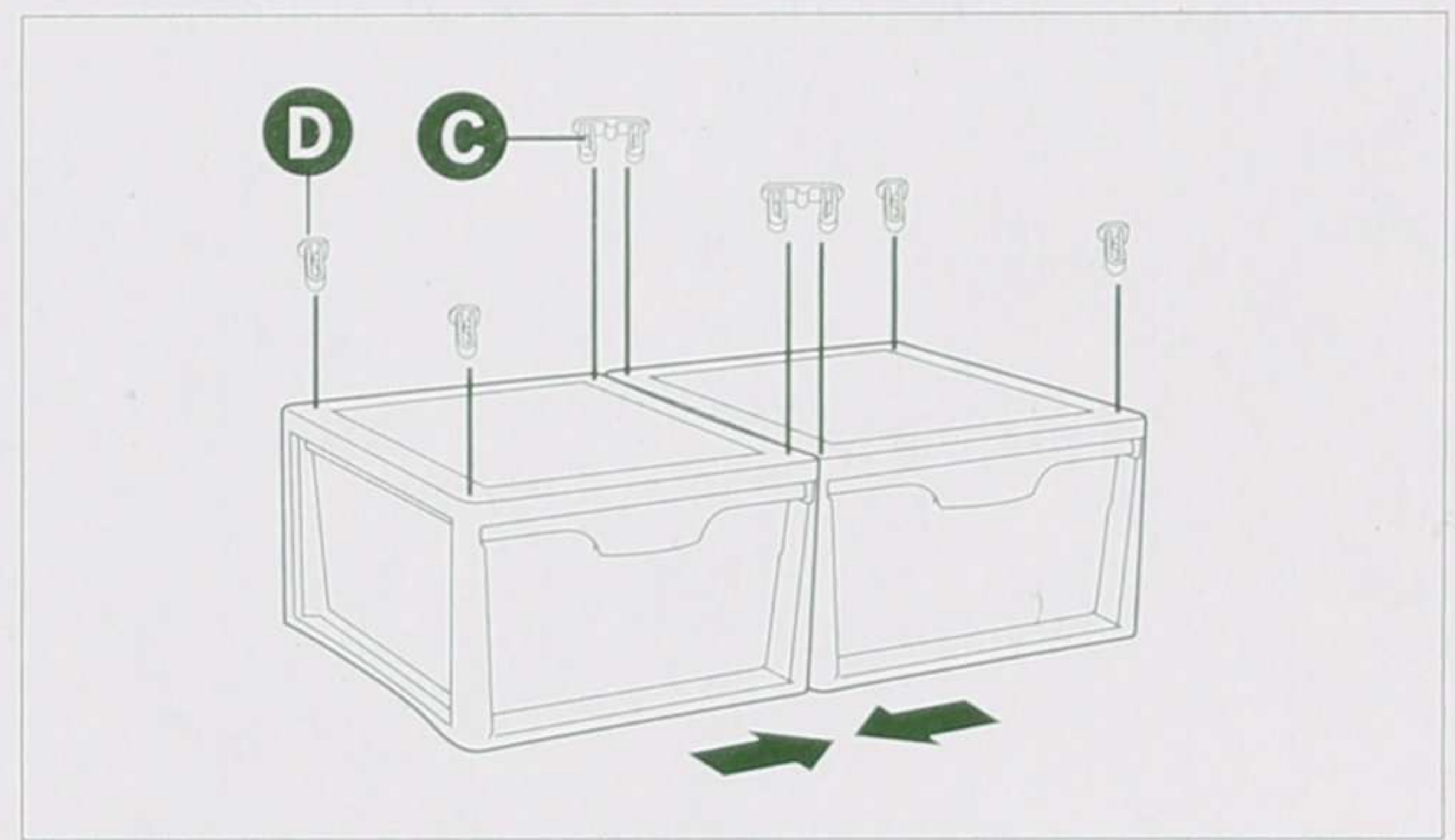
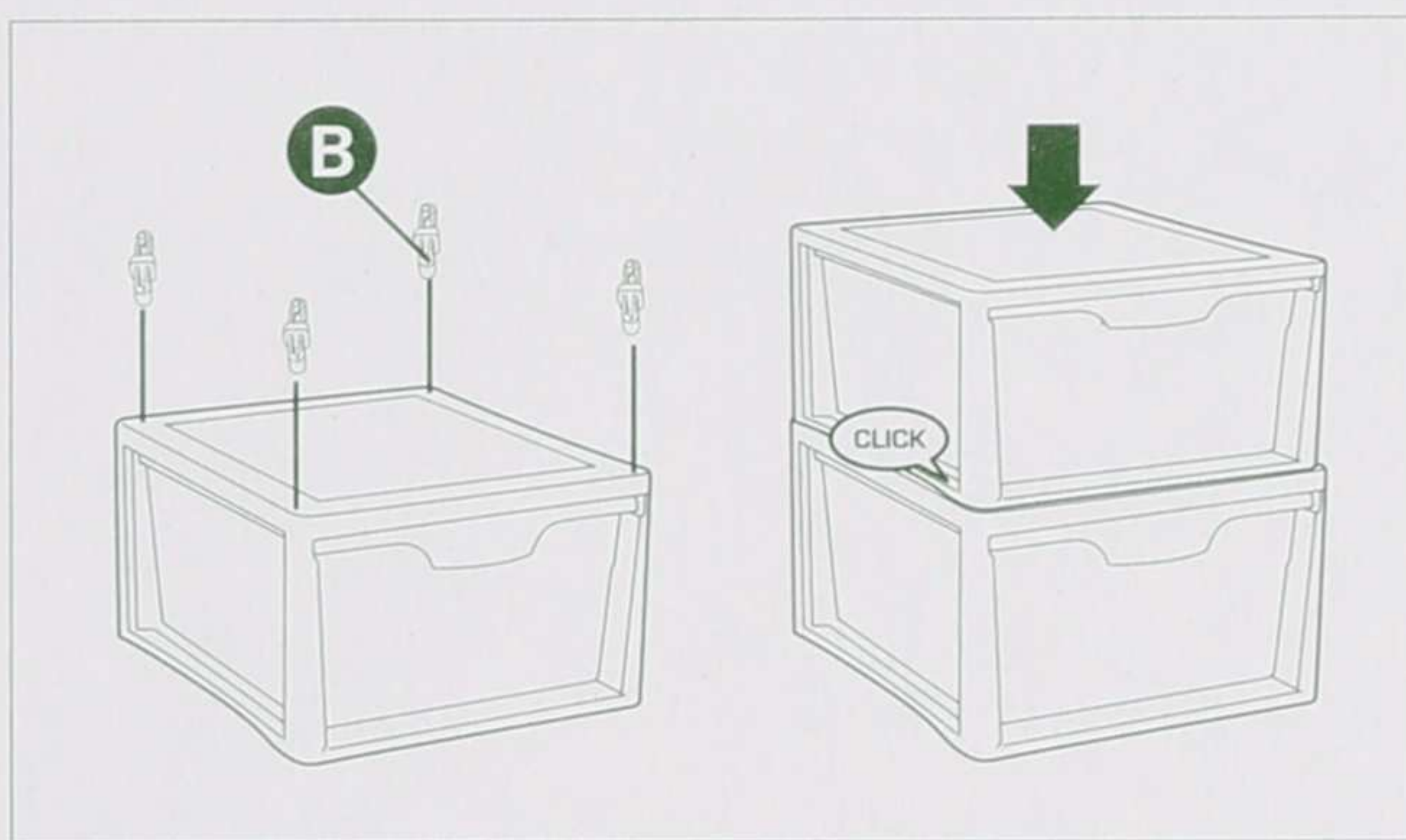


## modularity



## one or double way opening

