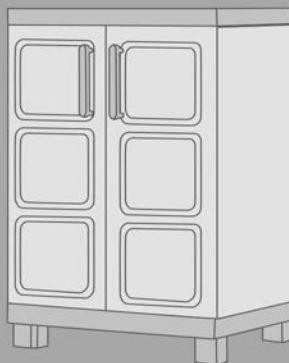
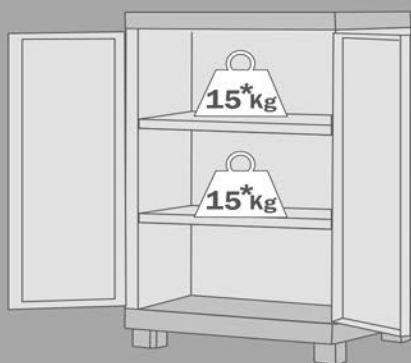


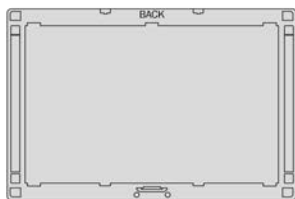
EXCELLENCE

cm 65x45x97 h



* Distribué uniformement - Uniformemente distribuido - Distribuiti uniformemente - Equally distributed

2xAC



2xA1



2xA2



2xA3



2xA4



2xB1



1x



2xC2



4xT



2xTT



2xD



1xCDS/CDSL



1xCLS



2xTMB



1xCDD/CDDL



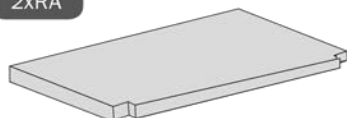
1xCLD



2xBMB



2xRA



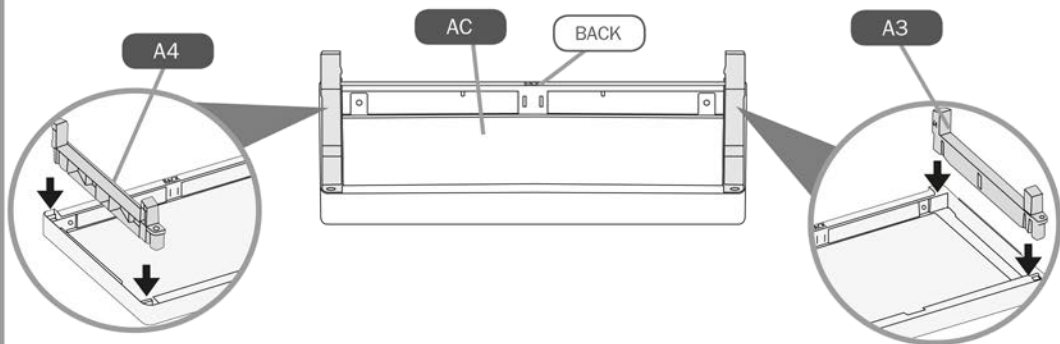
4x [4,2X22mm]



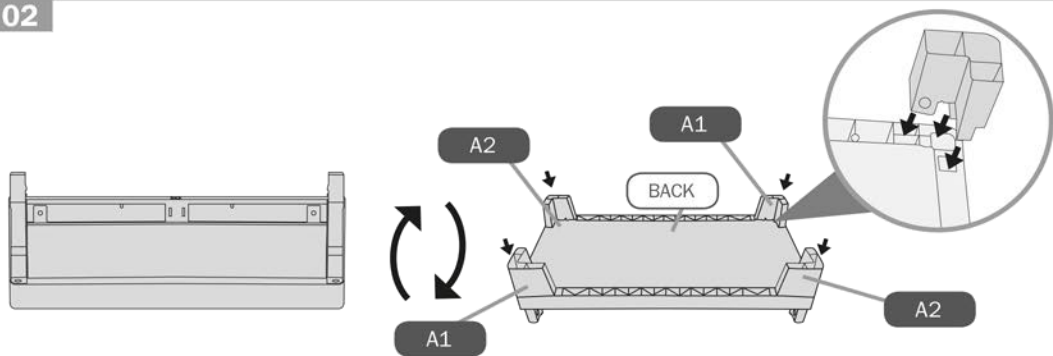
4x [3,9X16mm]



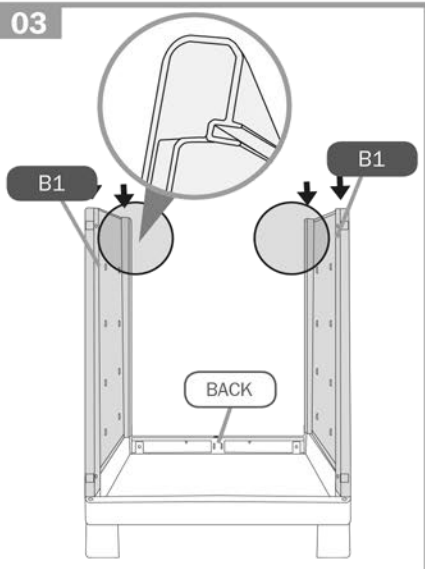
01



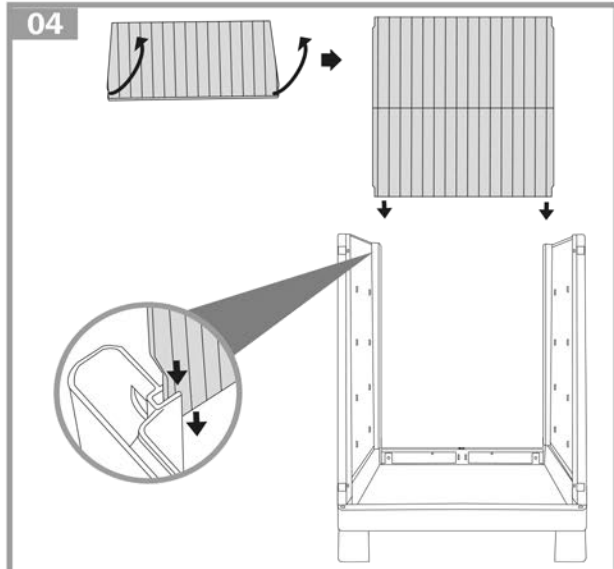
02



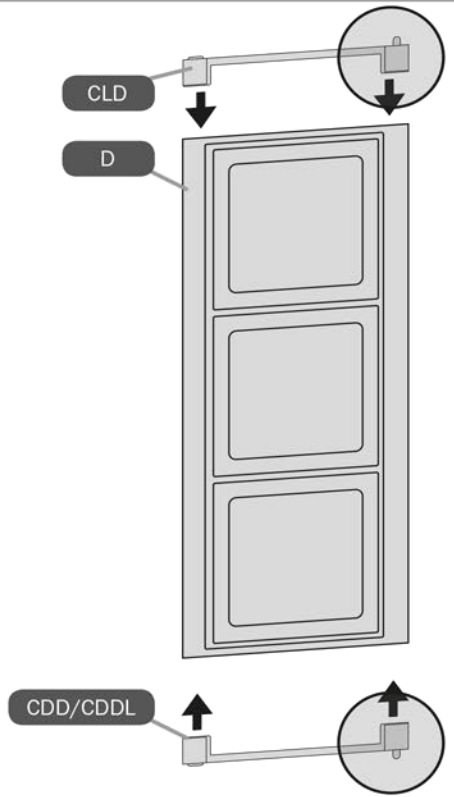
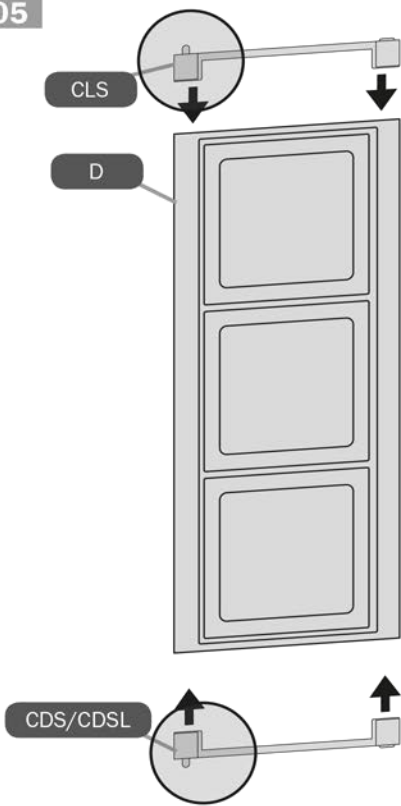
03



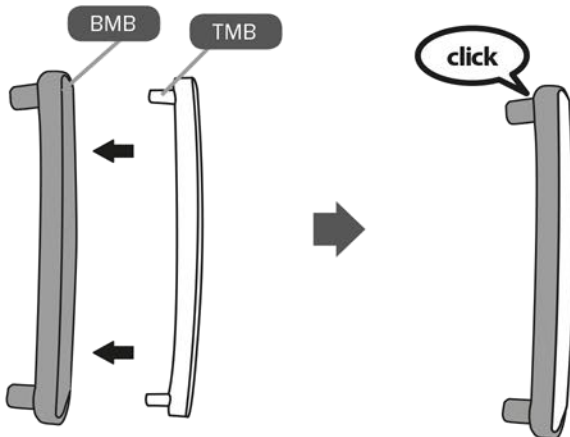
04



05



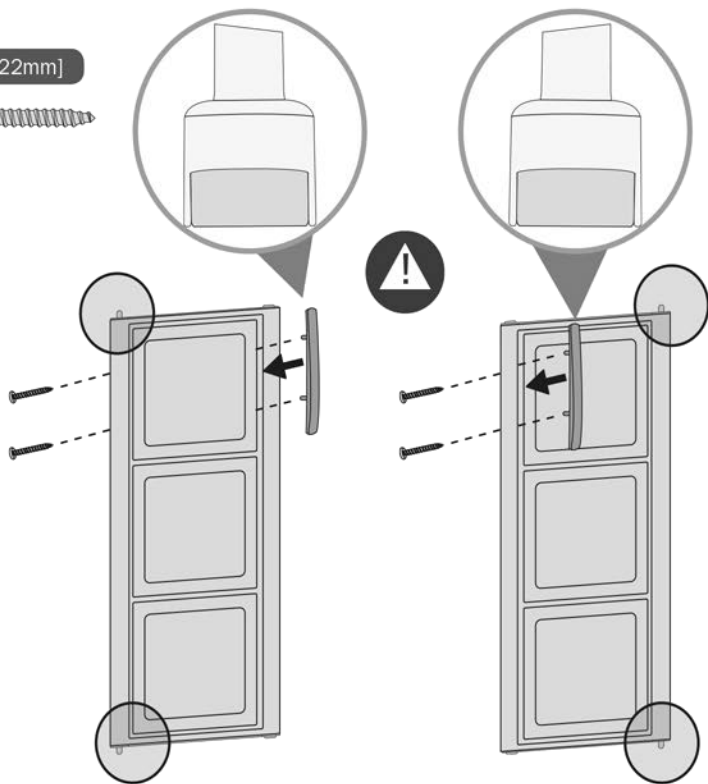
06



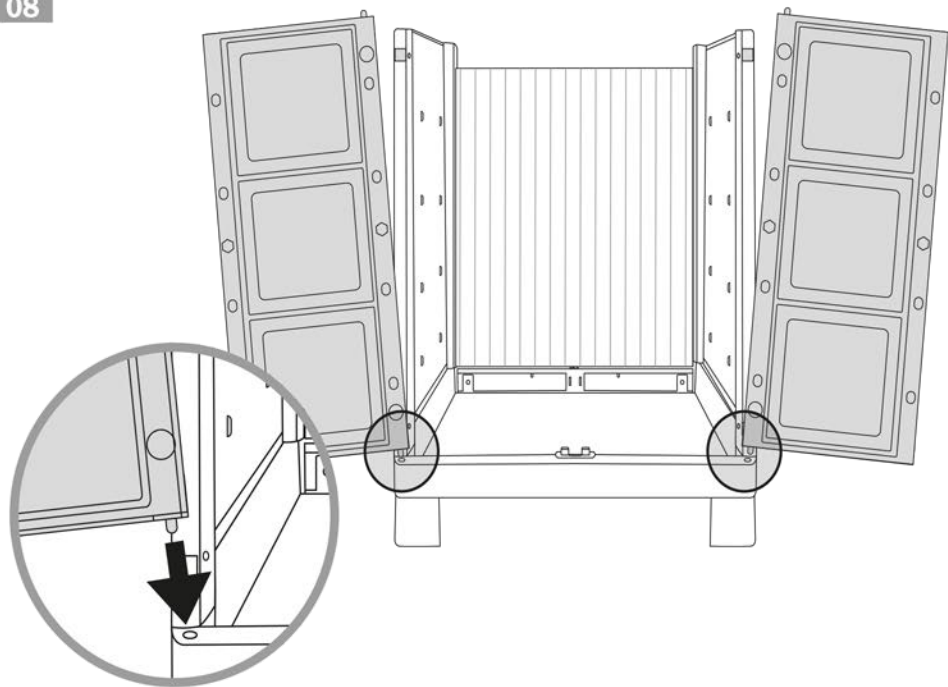
x2

07

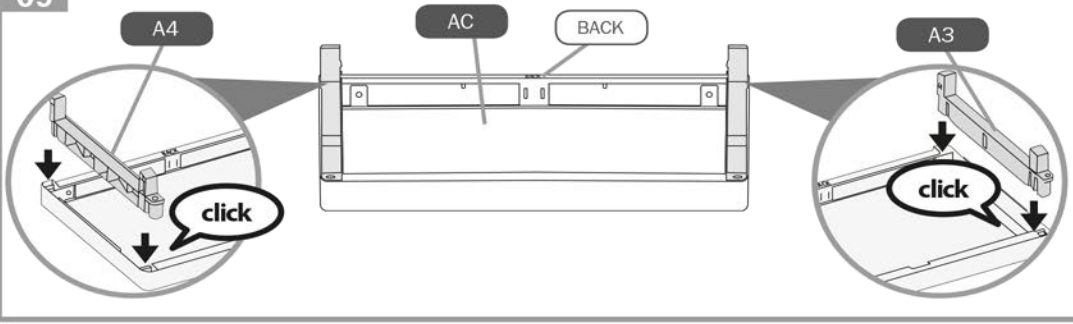
4x [4,2X22mm]



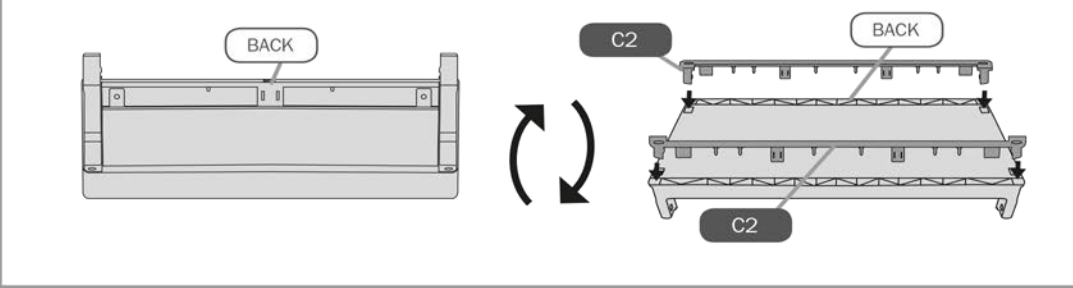
08



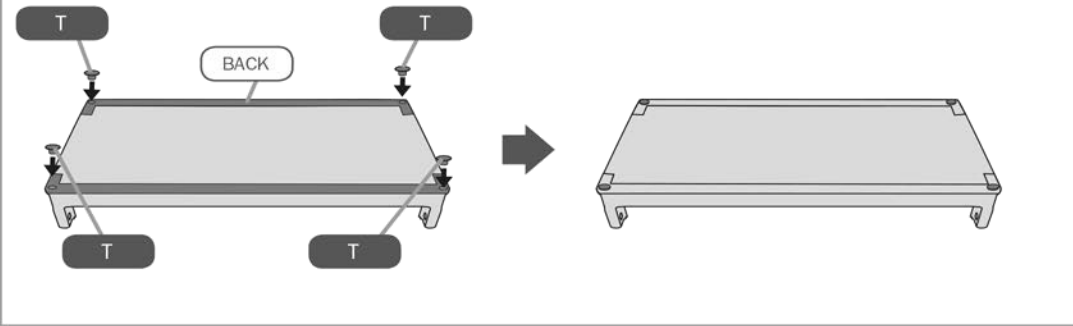
09



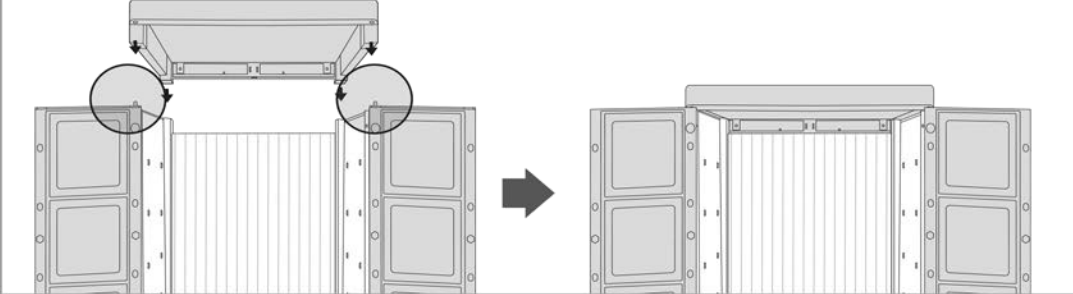
10



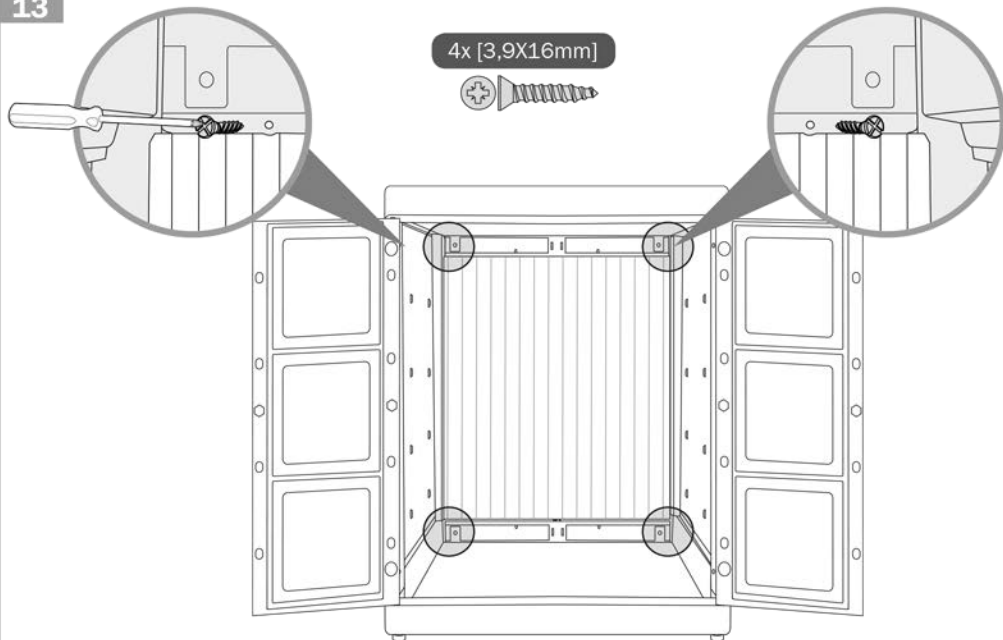
11



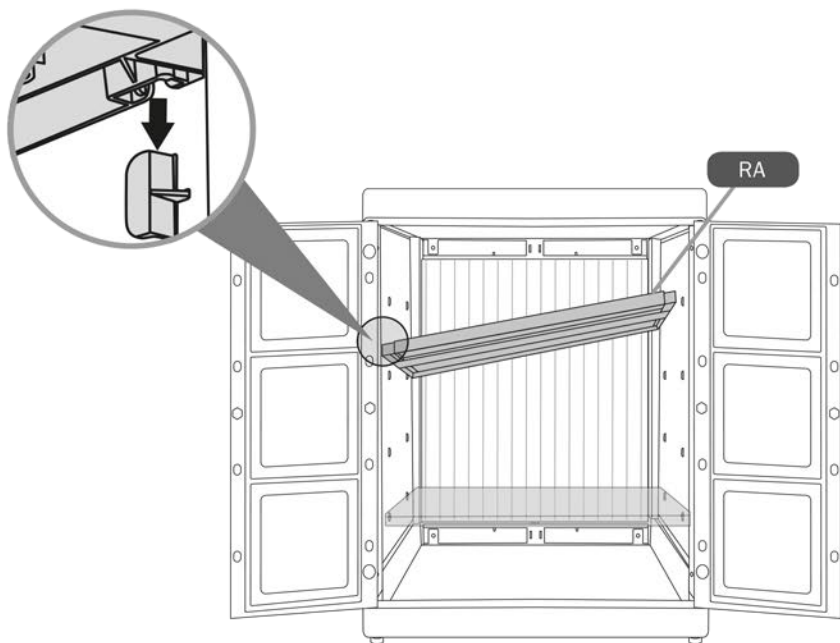
12



13



14



x2

